



LOCATION		DATE
PREPARED BY		QUANTITY
COMMENTS		FIXTURE TYPE
CATALOG NUMBER		

Crain LED Outdoor Sconce CRNW Series



Features

Modern design. Provides lighting in residential, commercial, and hospitality applications. Fixture mounts to standard junction box (not included).

Emergency Back-Up (Optional '-BB')

- 90 minute run-time
- 9.6VDC LiFePO4 battery
- 8 watts

Dusk-to-Dawn Photocell (Optional '-PC')

Construction

Aluminum housing. Standard mounting holes and hardware are included. Power supply connections must be made inside a junction box (not included).

Finish

Black powder coated finish or Textured Grey finish.

Diffuser

White acrylic diffuser.

Electrical

Input 120-277 VAC 60 HZ.
0-10V dimming (120-277V), TRIAC (120V).
Minimum starting temp -4° F / -20°C

Lamping

Fixture includes a LED modules capable of producing:
20W = 1450 delivered lumens
24W = 1800 delivered lumens
Adjustable Color Temp: 2700K, 3000K, 3500K, 4000K or 5000K (CCT).
Rated for 50,000 Hrs., 90 CRI.

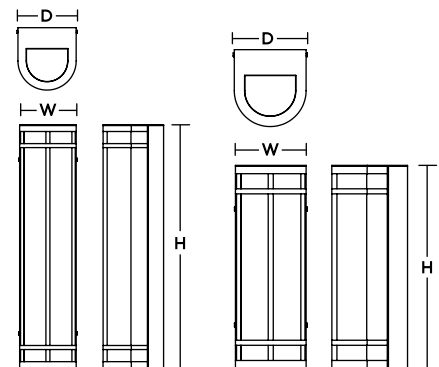
Certification

All fixtures are cETLus listed for wet locations.
Title 24/JA8 Compliant

Warranty

5 Year Limited Warranty:
Restrictions apply based on location.

**Specifications and dimensions
subject to change without notice.**



Ordering Information:

Black	Textured Grey	LED	Delivered Lumens	Adjustable CCT	H	W	D
CRNW0616LAJUDBK	CRNW0616LAJUDTG	20W	1450	2700K/3000K/3500K/4000K/5000K	16"	5-1/2"	6"
CRNW0624LAJUDBK	CRNW0624LAJUDTG	24W	1800	2700K/3000K/3500K/4000K/5000K	24"	5-1/2"	6"