



LOCATION		DATE
PREPARED BY		QUANTITY
COMMENTS		FIXTURE TYPE
CATALOG NUMBER		

Connor Round LED J-Box Downlight CNRJ Adjustable Series

Features

This ultra-low profile recessed fixture mounts inside a 4" octagon electrical junction box (not included). Mimics the look of recessed lighting without the need for housings. Product can be used in various applications including corridors, hallway, kitchen and anywhere general lighting is needed.

Construction

Die-cast aluminum housing with frosted acrylic diffuser. Metal decorative trim easily attaches to housing after installation via 4 magnets. Optional trim colors available, consult factory.

Finish

Magnetic decorative trim in white finish. Optional Trim colors available, consult factory.

Installation

Fixture mounts to a 4" Octagon electrical junction box with a minimum depth of 1.5". Mounting center is 3.5". Fixture housing must be able to fit inside electrical box. Mounting Flange and trim extend below ceiling 3/16".

Electrical

Direct Wire 120V, Triac/ELV dimming

Lamping

Fixture includes a LED modules capable of producing:
12W = 900 delivered lumens
Adjustable choice 2700K, 3000K, 3500K, 4000K, 5000K (CCT).
Rated for 50,000 Hrs., 90 CRI.

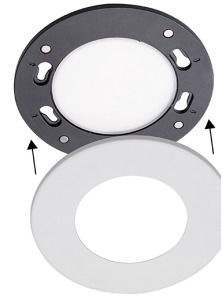
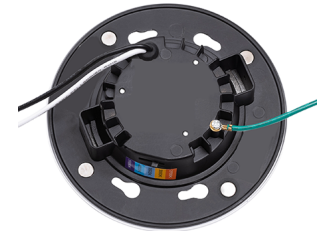
Certification

All fixtures are cETLus listed for indoor damp locations.
Title 24/JA8 Compliant
Suitable for use in clothes closets when installed in accordance with the NEC 410.16 spacing requirements.

Warranty

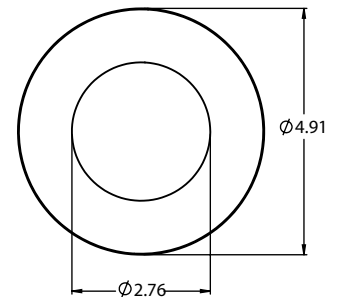
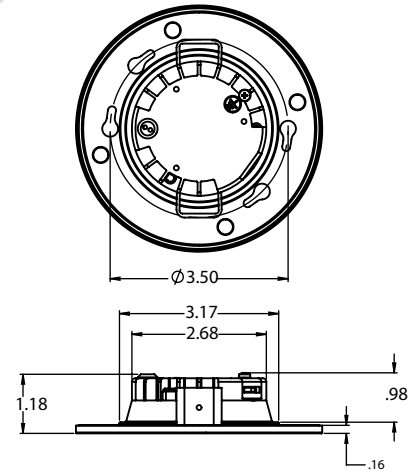
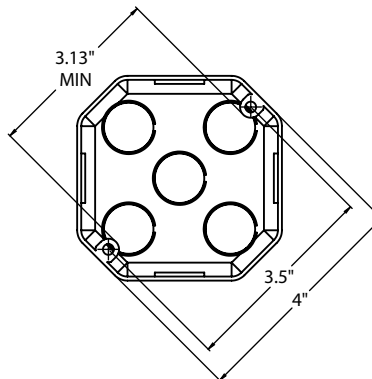
Limited warranty: This fixture is free from defects in materials and workmanship for a period of 5 years from date-of-purchase.

Specifications and dimensions subject to change without notice.



Snap-on white decorative trim.

Compatible J-Box Requirements



4 in. octagon J-boxes

Ordering Information:

White	LED	Delivered Lumens	Adjustable CCT	DIA.	D	MC
CNRFO4LAJDIWH	12W	900	2700K/3000K/3500K/4000K/5000K	5"	1-1/8"	3-1/2"