

# CLASSIQUE OVAL PENDANT

---



Custom Fabrics

## CONSTRUCTION:

- Fabric shade
- White acrylic bottom diffuser with finial
- 36 in. standard stem kit includes 6 in., 12 in. and 18 in. sections for adjustability
- Additional stem sections available, maximum height 12 ft.
- 12 ft. of field adjustable wire included

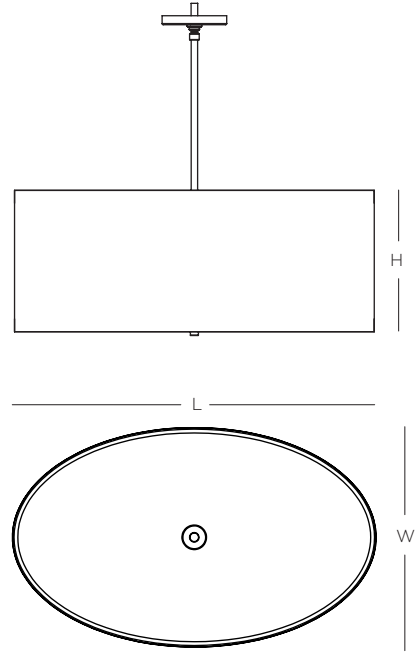
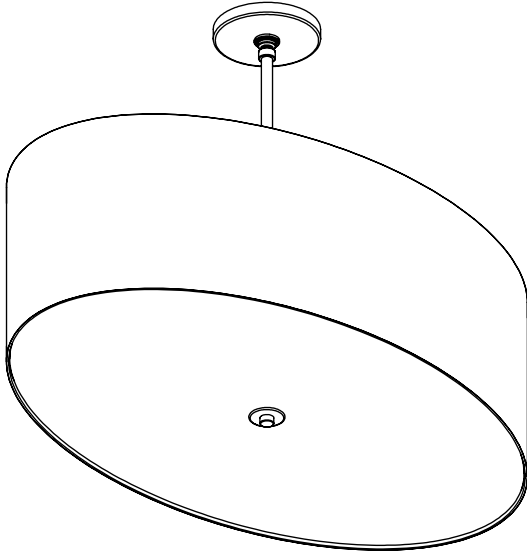
## ELECTRICAL:

- 120V medium base sockets

## CERTIFICATION:

- cULus Listed

# CLASSIQUE OVAL PENDANT



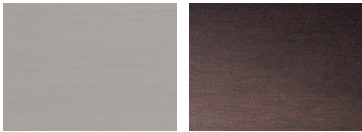
Specifications			Medium Base
Size	L x W	H	Sockets
20	20" x 12"	7-1/2"	2 x 75W max
21	24" x 14-1/2"	9"	2 x 75W max
22	28" x 17-1/2"	11"	2 x 100W max
23	34 x 21"	13"	3 x 100W max

## Ordering

Model	Size	Lamping	- Finish	- Fabric
SCLQP	20 = 20" 21 = 24" 22 = 28" 23 = 34"	MB Medium Base Socket	BN Brushed Nickel RB Hand-Rubbed Bronze	301 Beige Linen 302 Oatmeal Linen 303 White Linen 304 Black Linen

Example: SCLQP21MB-BN-303

## Finish Options



BN  
Brushed Nickel

RB  
Hand-Rubbed  
Bronze

## Fabric Options



301  
Beige Linen

302  
Oatmeal Linen

303  
White Linen

304  
Black Linen

All specifications and dimensions subject to change without notice.